



www.JenLighting.com

# LED Panel Light

## SPEC SHEET



### Application:

Schools, hospitals, office, retails, commercial and etc.

## GENERAL DESCRIPTION

LED Flat Panels cast the right light in any commercial setting. The slim profile fixtures are available in 1' x 4', 2' x 2' or 2' x 4' sizes and can save up to 50% of energy usage compared to traditional fluorescent fixtures. Standard 0-10V dimming capability allows greater energy-savings.

## FEATURES

- High energy efficiency
- Ultra-slim edge lit design with high transmission diffuser
- Flicker-free: eyesight protection
- White frame construction
- Option: available with emergency backup kit/ motion sensor
- Recessed, surface mount or suspended installations

## APPLICATIONS

Suitable for schools, hospitals, office, retails, commercial and etc.



## SPECIFICATIONS

**Volts:** 110-277VAC

**Power Factor:** >0.9

**THD:** <20%

**Average Rated Life:** 50,000

**Beam Angle:** 150°

**CRI:** >80

**C.C.T.:** 3000K/4000K/5000K

**Housing Color:** White

**Ambient temp:** -10°F to 110°F

## OPTIONAL ACCESSORIES



# LED Panel Light

## SPECIFICATIONS

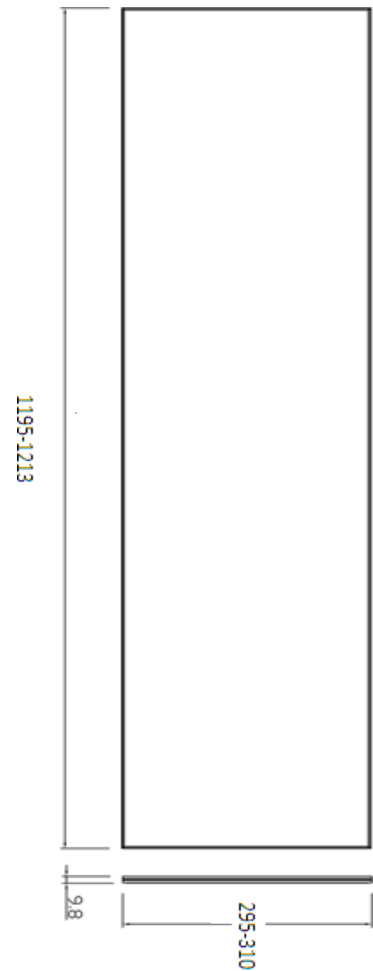
Model Numer	Size	Power	Lumens	C.C.T.	Dimmable	Voltage
JEN -PL-40W-66-40-TG-12-XXK	2' x 2'	40W	4400	3000K/4000K/5000K	0-10V	110-277V
JEN -PL-40W-123-40-TG-12-XXK	1' x 4'	40W	4400	3000K/4000K/5000K	0-10V	110-277V
JEN -PL-50W-126-40-TG-22-XXK	2' x 4'	50W	5500	3000K/4000K/5000K	0-10V	110-277V
JEN -PL-60W-126-40-TG-22-XXK	2' x 4'	60W	6600	3000K/4000K/5000K	0-10V	110-277V
JEN -PL-72W-126-40-TG-22-XXK	2' x 4'	72W	7920	3000K/4000K/5000K	0-10V	110-277V

## DIMENSION

2x2



1 x 4

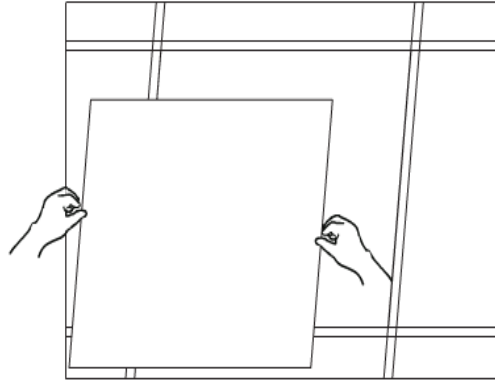


2x4



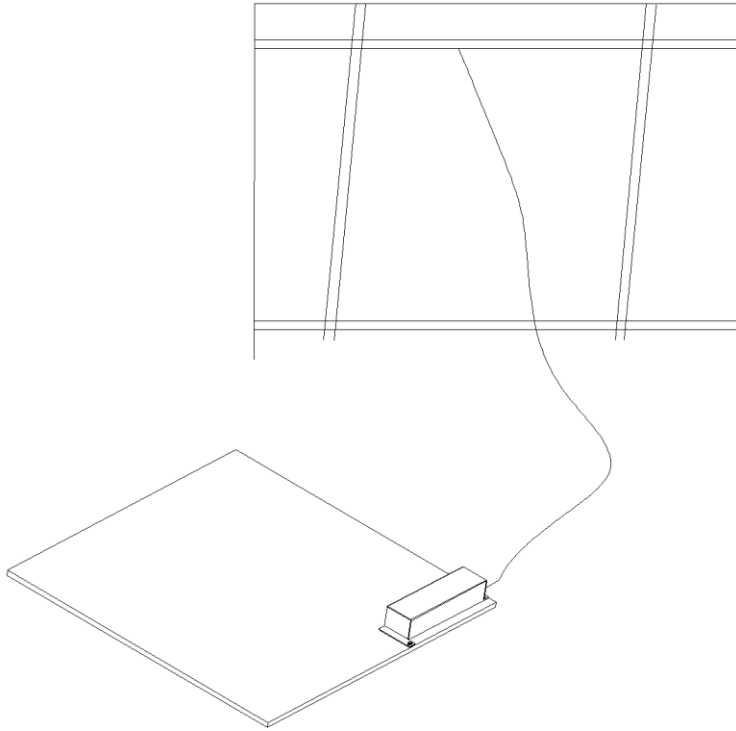
## INSTALLATION

- ①. Remove the same size of gypsum board, as per picture 1;



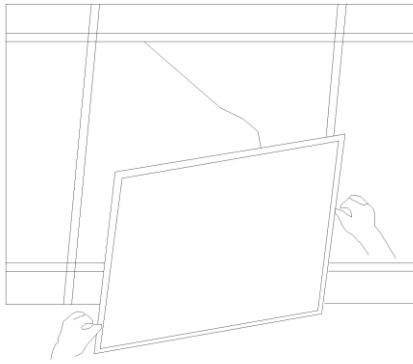
1

- ②. Connect power supply well, as per picture 2;



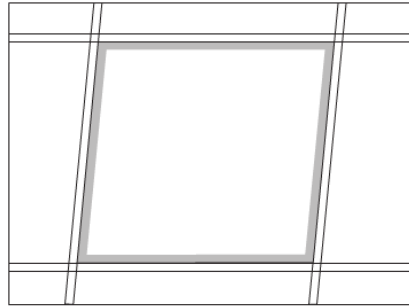
2

- ③. Put the lamp on the ceiling, as per picture 3;



3

④. as per picture 4.



4

⑤. Turn on the light and check if it is ok;

⑥. The lighting effect:



5

### Other installation

